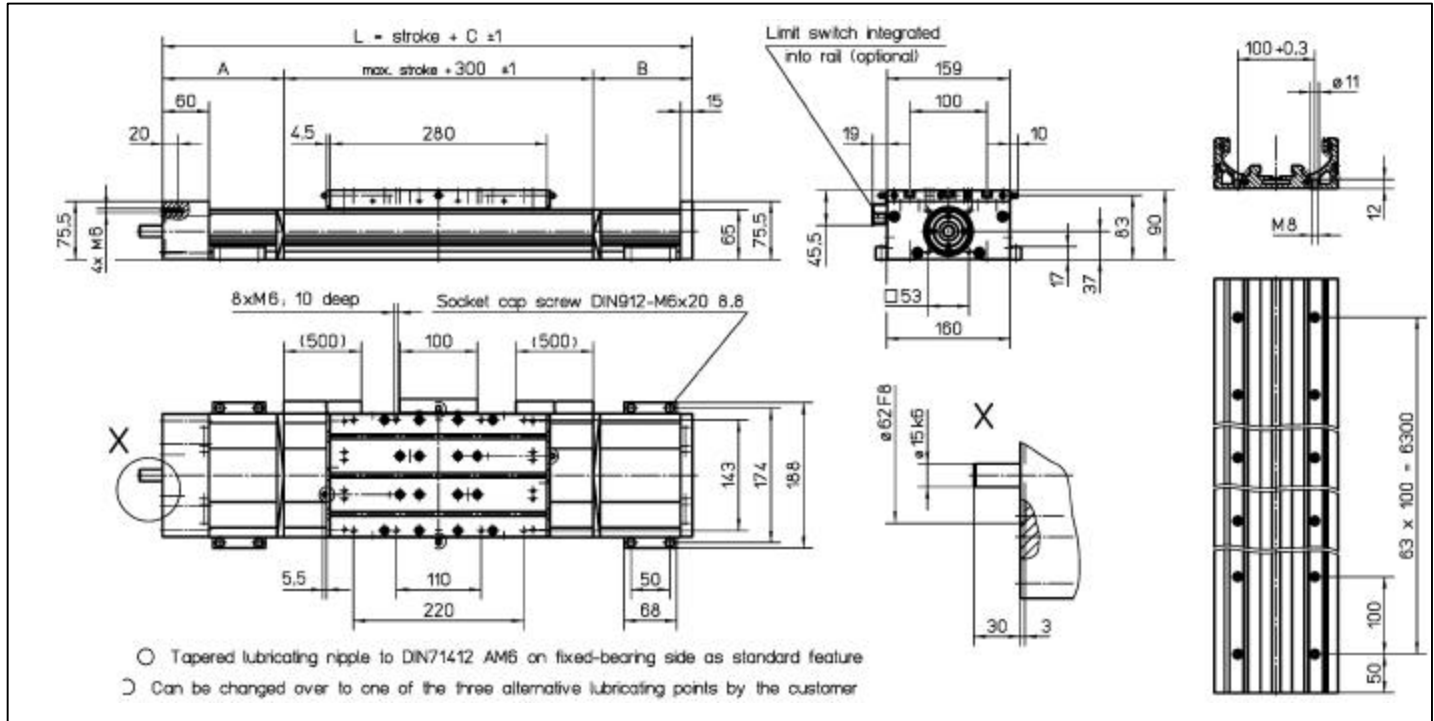


WIESEL FORCELine® MLSM 60 KGT

With ball screw drive and ball bearing guide way



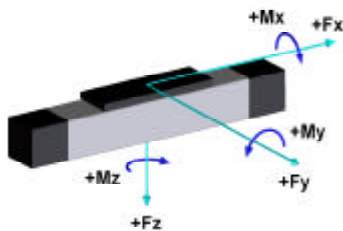
Technical data:

- Linear speed: max. 2,5 m/s
- Repeatability: ± 0,01 mm
- Acceleration: max. 20 m/s²
- Rotation speed: max. 3000 1/min
- Drive element: Double nut preloaded ball screw drive
- Diameter: 25 mm
- Leads: 5, 10, 20, 50 mm
- Screw support: Neff Standard
- Max. stroke length: 5500 mm
- Geometrical moment of inertia: $I_y = 1,19 \cdot 10^6 \text{ mm}^4$
 $I_z = 1,08 \cdot 10^7 \text{ mm}^4$
- Base weight without stroke: 14,40 kg
- Weight per 100 mm stroke: 1,65 kg
- Weight of Power bridge : 5,70 kg

Options:

- Free-sliding additional power bridge OKB and long power bridge LKB
- Adapter plate SLT 10
- End switch and reference switch
 - inductive switch (standard)
 - mechanical switch

Loads and load moments



| Load | dynam. [N] |
|-------------|-------------|
| Fx drive | 5000 |
| Fy | 6000 |
| ± Fz | 6000 |
| Load moment | dynam. [Nm] |
| Mx | 400 |
| My | 460 |
| Mz | 460 |

Additional lengths as a function of the stroke

| Stroke length [mm] | A [mm] | B [mm] | C [mm] |
|--------------------|--------|--------|--------|
| 0 - 750 | 90 | 45 | 435 |
| 751 - 1220 | 105 | 90 | 495 |
| 1221 - 1980 | 125 | 110 | 535 |
| 1981 - 2730 | 150 | 135 | 585 |
| 2731 - 3490 | 170 | 155 | 625 |
| 3491 - 4240 | 195 | 180 | 675 |
| 4241 - 5000 | 215 | 200 | 715 |
| 5001 - 5500 | 235 | 220 | 755 |

The mentioned forces and moments are standard values at single load. When combining several loads and load moments, the values need to be reduced to approx. 60 %.