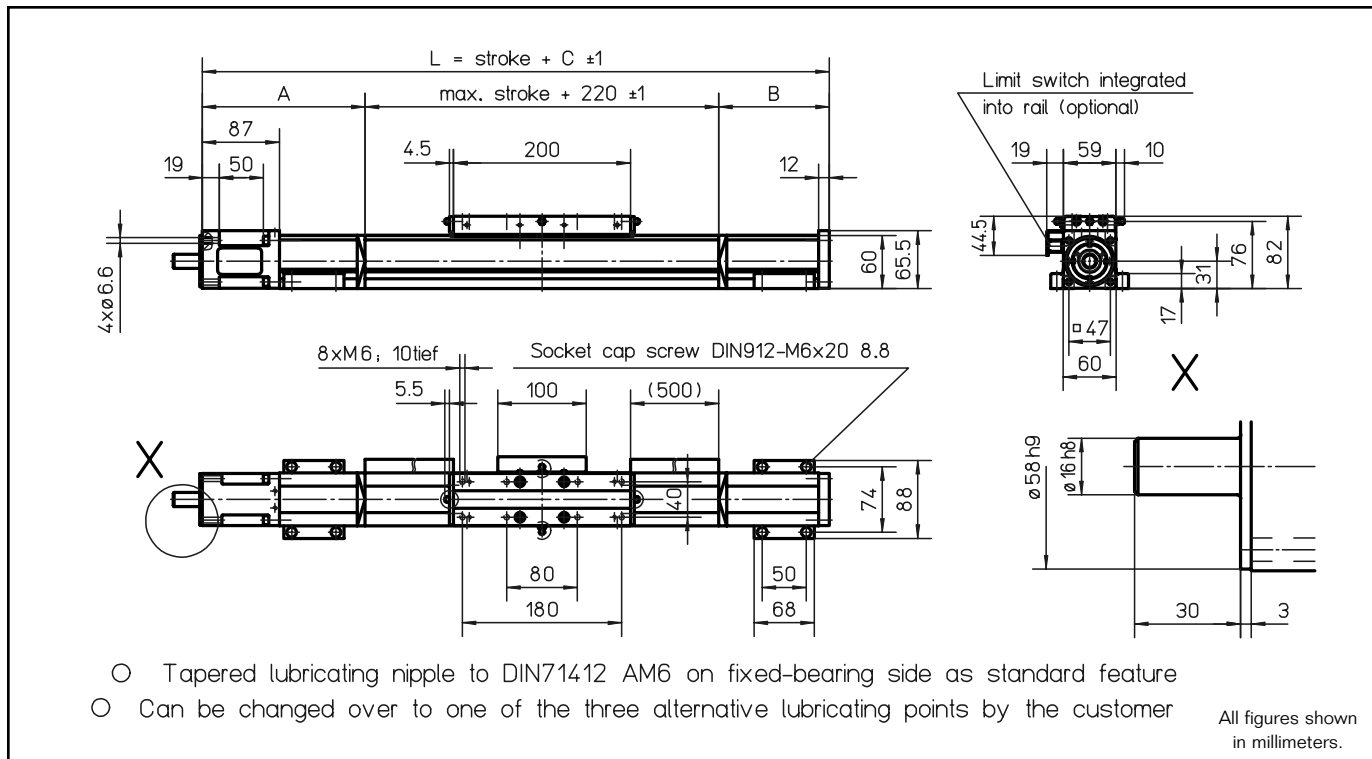


WIESEL™ DYNALine® WV60

with ball screw drive



Technical data

Linear speed:max. 2.5 m/s
 Repeatability:± 0.01 mm
 Acceleration:max. 20 m/s²
 Rotational speed:max. 3000 rpm
 Drive element:Pretensioned ball screw drive
 Diameter:20 mm
 Lead:5, 20, 50 mm
 Stroke length:up to 11.000 mm
 with lead 50 mm
 max. 5000 mm
 Power bridge:200 mm long
 Geometrical moment of inertia:ly 5.8 x 10⁵ mm⁴
 lz 5.9 x 10⁵ mm⁴

Weights

Basic unit with zero stroke:4.72 kg
 100 mm stroke:0.55 kg
 Power bridge with carriage:1.42 kg
 Provided:4 pieces KAO mounting
 brackets

Feed force

Maximum feed force F_x:
 4000 N



Note: All loads and load moments must be absorbed by external guides

Unit conversions

Length:
 1 m=1000 mm=39.37 inches
 1 inch=25.4 mm

Force:
 1 N=0.225 lbf
 1 lbf=4.45 N

Moment of Force:
 1 Nm=0.738 lb · ft=8.85 lb · inches
 1 lb · ft=1.36 Nm

Geometrical moment of inertia:
 1 m⁴=10¹² mm⁴=2.4025 x 10⁶ in⁴

Mass moment of inertia:
 1 kg · m²=10⁴ kg · cm²=0.738 lb · ft · s²

Mass:
 1 kg=2.2 lb

Idle torques [Nm]

Rotational speed [rpm]	Lead P [mm]		
	5	20	50
150	0.6	0.7	0.8
1500	1.1	1.2	1.3
3000	1.5	1.7	1.9

Additional lengths as a function of the stroke

Stroke length [mm]	A [mm]	B [mm]	Additional length C [mm]
0-690	130	80	430
691-1415	155	105	480
1416-2155	175	125	520
2156-2885	200	150	570
2886-3625	220	170	610
3626-4355	245	195	660
4356-5095	265	215	700

Note: For tube lengths of 5400 mm and over, the tubular profile is composed of two parts. The joint must be adequately supported. It may be possible to position the joint according to customer's wishes. For screw leads > 20 mm, excess lengths cannot be implemented.