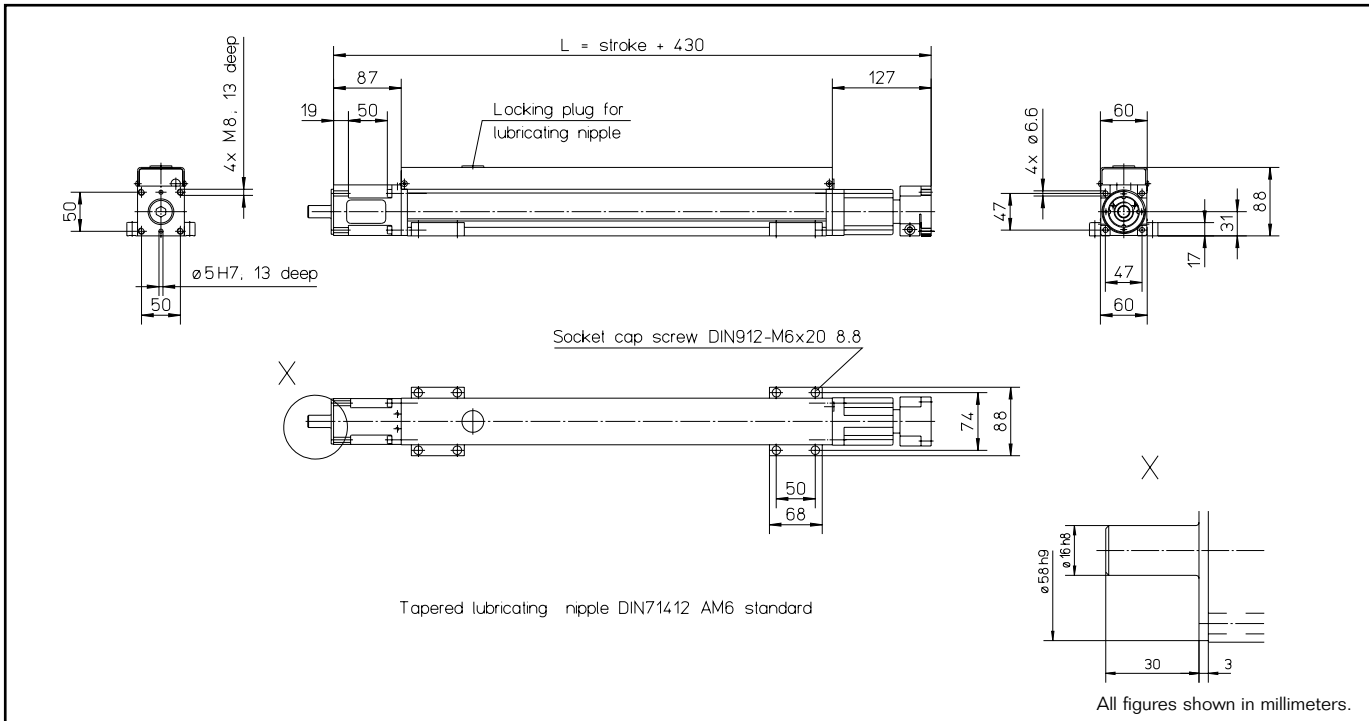


WIESEL™ VARIOLine™ WZ60

with ball screw drive and integrated linear ball bearing drive



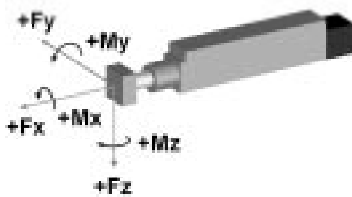
Technical data

- Linear speed:max. 1.5 m/s
- Repeatability: ± 0.02 mm
- Acceleration:max. 20 m/s^2
- Rotational speed:3000 rpm
- Drive element:ball screw with backlash free
single nut
- Diameter:20 mm
- Lead:5, 20, 50 mm
- Stroke length:max 400 mm
- Geometrical moment of inertia:ly $5.8 \times 10^5 \text{ mm}^4$
 $5.9 \times 10^5 \text{ mm}^4$

Weights

- Basic unit with zero stroke:4.5 kg
- 100 mm stroke:0.77 kg
- Mass to be moved without stroke:1.8 kg
- Mass to be moved per 100 mm stroke:0.26 kg
- Provided:4 pieces KAO mounting brackets

Loads and load moments



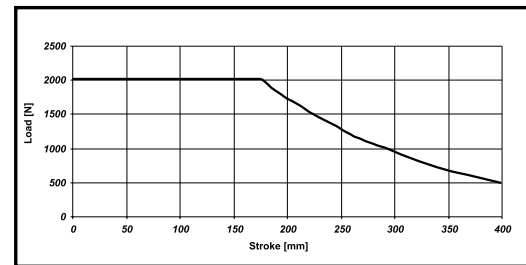
Load	dynam. [N]
F_x drive	2800
F_y	see diagram
$\pm F_z$	see diagram
Load moment	dynam. [Nm]
M_x	50

Unit conversions

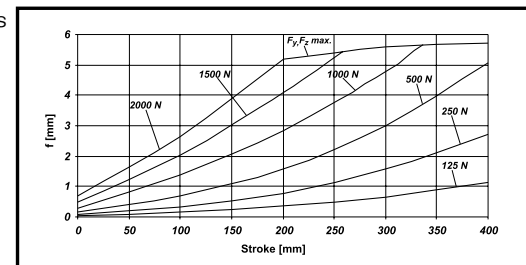
Length:	1 m=1000 mm=39.37 inches 1 inch=25.4 mm
Force:	1 N=0.225 lbf 1 lbf=4.45 N
Moment of Force:	1 Nm=0.738 lb · ft=8.85 lb · inches 1 lb · ft=1.36 Nm

Idle torques [Nm]

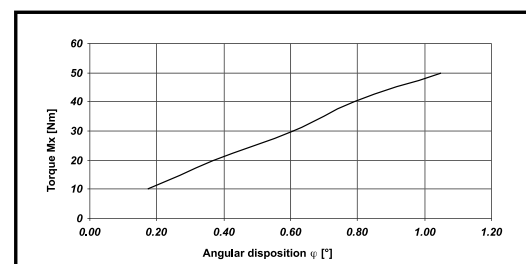
Rotational speed [rpm]	Lead P [mm]		
	5	20	50
150	0.5	0.9	1.2
1500	0.9	1.4	1.8
3000	1.3	1.6	2.0



Max side load F_y, F_z



Deflection due to F_y, F_z



Torsion